

Modular meters

ST300



Three-phase modular meter for commercial and industrial consumers with plug-in communication and switching modules



ST300 is three-phase modular smart meter designed for measurement of active and reactive energy of commercial and industrial consumers, with direct, semi-indirect and indirect grid connection. ST300 can also be used in single-phase networks. AMI system integration is enabled by connecting optional plug-in communication

module (CMxyS - PLC or GPRS/3G communication) and switching module (SD30S) via M-Bus connection. Both plug-in modules are simply mounted under the terminal cover. ST300 is compliant with all relevant standards and regulations.

Key features

- Measurement of electrical values
- Integrated Real-time clock with DST
- Flexible tariff policy with up to 4 tariffs
- Maximum demand
- RS485 port
- Optical port
- DLMS/COSEM
- Fraud detection
- No-power reading and parametrization
- Billing profile / profiles
- Load profiles
- Power limit
- Code red
- Event logs
- Measurement of energy quality
- Firmware update
- Functional inputs / outputs
- Data security

Measurements

- Measurement of power and energy in both directions and absolute values (A+, A-, |A|, R+, R-, optionally R1, R2, R3, R4)
- Active energy measurement – Index classes 0.2s, 0.5s or 1, reactive energy measurement - class 2 or 3
- Measurement of voltages and currents by phases, frequency and power factor

Maximum demand

- Programmable maximum demand integration period is generated by internal clock (typically 5, 10, 15, 30 or 60 minutes)

Multi-rate registration and TOU

- Programmable tariff structure (up to 4 tariffs)
- Up to 4 seasons and 4 weekly changeovers
- Up to 9 day types and 32 holidays
- Up to 10 daily changeovers

Internal Real-time clock with DST

- In accordance with IEC 62054-21
- Automatic DST switching (optional)
- Battery backup supply, optionally super-capacitor

Visual communication with meter

- LCD and display modes according to VDEW specifications
- Programmable selection of data and display sequence
- LED: 1000 imp/kWh/kvarh; 10 000 imp/kWh/kvarh for direct and CT

connection; 40 000 imp/kWh (kvarh) for VT connection

- 2 push buttons on the meter cover
- OBIS data ID code: IEC62056-61

Optical port

- Physical layer according to IEC 62056-21
- DLMS/COSEM communication protocol

Electrical ports (physical layer)

- Port A: RS 485 for communication with AMI Center (active)
- Port B: M-Bus master for communication with the switching module and other energy meters compliant with EN 13757-2

Inputs and outputs (optional)

- 2 control inputs for tariff control
- 2 tariff outputs (100 mA)
- 2 pulse outputs
- 1 control output with bi-stable relay (6A)

Communication protocol

- Optical port and port A: DLMS (IEC 62056-46)
- Port B: M-Bus (EN 13757-3)

Billing profiles

- Billing profiles (registered energy and maximum demand values by tariffs) are generated and stored for the last 18 billing intervals

Load profiles

- 4 load profiles with 7 channels each
- Independent, programmable registry intervals (5-60 minutes, 1-24 hours)
- Sufficient memory (4 320 registries,

i.e. 15-minute average load profile (1 channel) is stored for 45 days

Log books

- Standard log book with up to 200 logs and states
- Quality event log book
- Fraud detection log book
- Disconnect control log book

Energy quality measurement

- Maximum and minimum voltage registration
- Voltage variation registration
- Maximum current registration
- Outage registration (short outage – Event counter, long outage – Long power interruption log)
- Under-voltage and over-voltage measurement and registration in Quality Event log book

Fraud detection

- Detection of meter cover opening / closing
- Detection of terminal block cover opening / losing
- Detection of wrong authorization for meter parameterization
- Detection of strong magnetic field
- Detection of neutral conductor interruption
- Recording of events in the Fraud event log book

Power limiting (optional)

- Power or current limiting of electricity consumers by defining the limit value of power or current in the dedicated meter register
- Dedicated log book (10 switching module disconnections / connections)

Code Red (optional)

- Enables synchronous power limiting of groups (large number) of users in case of irregular situation on distribution network (e.g. lack of power)

Firmware update

- Enabled locally or remotely with no impact on accuracy, parameter configuration or billing data

No-power reading

- Local reading via display or optical port

Integration into AMI system

- **Communication with AMI system**
- ST100 is ready for addition of plug-in communication module (PLC or GPRS/3G) on port A
- **Load management**
- ST100 is ready for addition of plug-in switching device on port B
- Switching device in accordance with IEC 62055-31, UC2/UC3

Data protection

- Local parameterization is protected by multi-level passwords and push button positioned under terminal block cover

Meter quality

- High accuracy and long term stability of metering elements. No recalibration required during meter lifetime
- High meter reliability
- High immunity to EMC

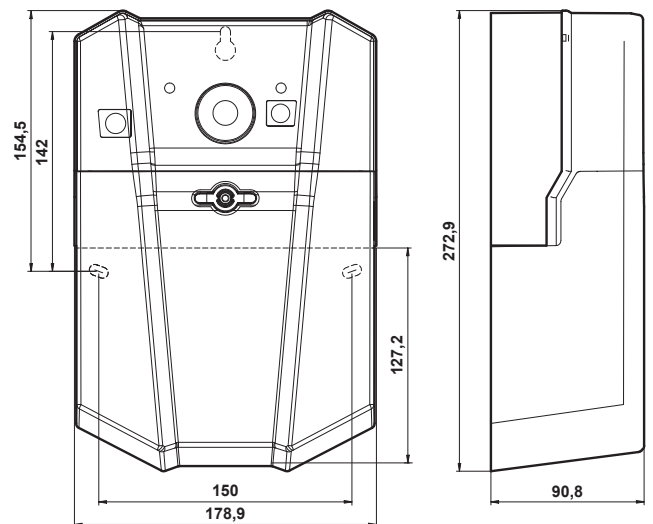
Current terminal block

- For current up to 60 A: for all types of conductors up to 16 mm²
- For current up to 120 A: for all types of conductors up to 35 mm²

Compact meter case

- High quality, transparent, reinforced, self-extinguishing polycarbonate case
- IP54 protection against water and dust (in accordance with IEC 60529)

Accuracy class	
active energy	0.2s, 0.5s or 1
reactive energy	2 or 3
Nominal and maximum current	
direct connection	5 (60) A, 5 (120) A
transformer connection	1 (6) A, 5 (6) A
Minimum current I _{min}	0.05 I _n
Nominal voltage, U _n	3x230/400 V, 3x400 V, 3x57,7/100 V, 3x100V, 230 V
Voltage range	0.8 U _n - 1.15 U _n
Frequency	50 Hz
Ports and protocols	
optical port	IEC 62056-21 (physical layer) IEC 62056-46 (DLMS) communication protocol
electrical port A	RS485 IEC 62056-46 (DLMS) communication protocol
electrical port B	wired M-Bus master (EN 13757-2) EN 13757-3 communication protocol
Comm. module (optional)	PLC, GPRS/3G
Switching module (optional)	3x230 V (3x90 A; 3x120 A), IEC 62055-31, UC2/UC3
Self-consumption	< 2 W
Insulation voltage	4 kV, 50 Hz, 1 min
Shock voltage	6 kV; 1.2 / 50 μs
Operational temperature range	-40 °C - +70 °C
Storage temperature	-40 °C - +80 °C
IP protection	IP54, according to IEC 60529
Dimensions	273 x 177 x 91 mm
Weight	0.9 kg



Meter&Control d.o.o. | Science Technology Park Belgrade
 Veljka Dugoševića 54 | 11050 Belgrade | Serbia
 office@meterandcontrol.com | www.meterandcontrol.com

Solutions for smart energy management